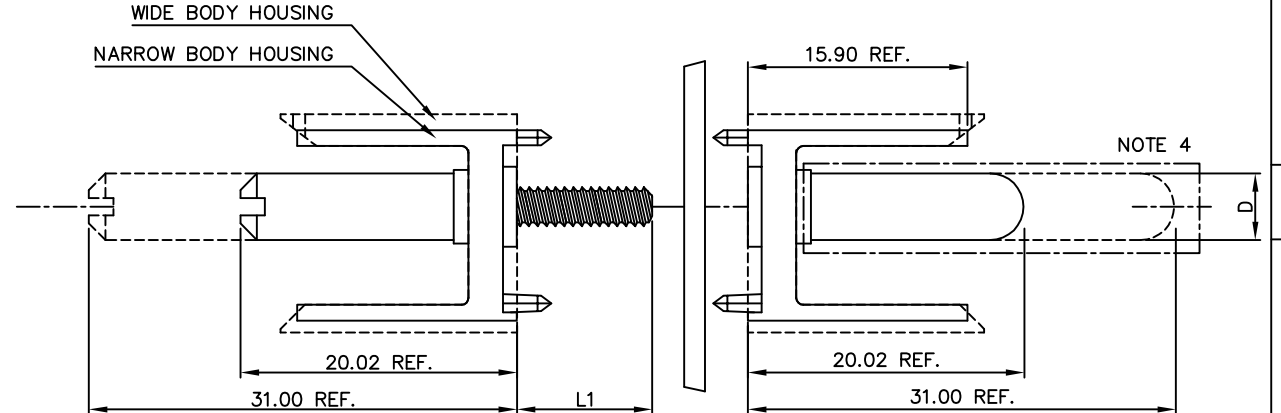
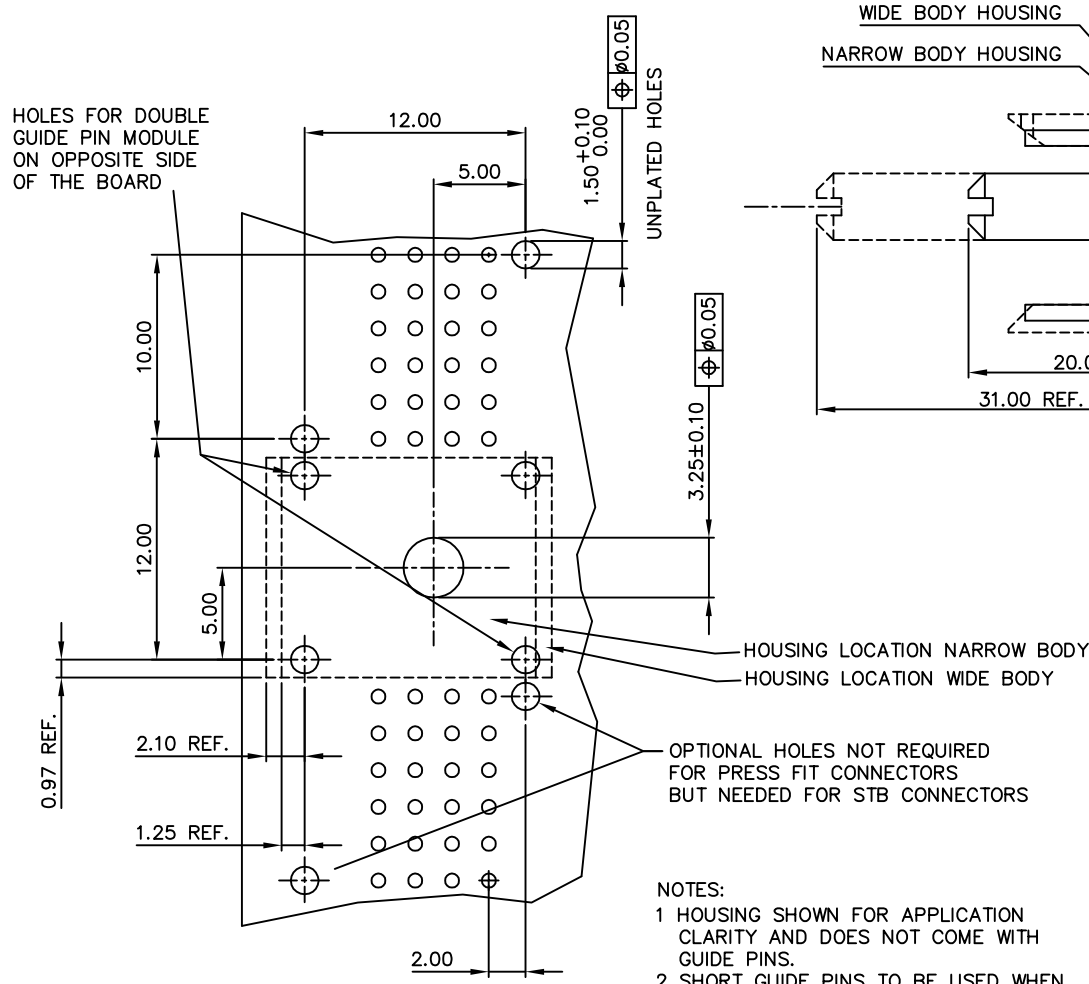


PRODUCT NUMBER	DESCRIPTION	D	L1	L2
70295-001LF	SHORT SINGLE GUIDE PIN WITH COMBO PAN HEAD SCREW	4.57		12.7
70295-002LF	LONG SINGLE GUIDE PIN WITH COMBO PAN HEAD SCREW	4.57		12.7
70295-003LF	SHORT DOUBLE GUIDE PIN	4.57	12.7	
70295-004LF	LONG DOUBLE GUIDE PIN	4.57	12.7	
70295-007LF	LONG DOUBLE GUIDE PIN FOR PCB 10mm THICKNESS	4.57	14.7	
70295-008LF	SHORT SINGLE GUIDE PIN WITH COMBO PAN HEAD SCREW DIAMETER GUIDE PIN REDUCED TO 4.2 mm	4.2		12.7



- NOTES:
- 1 HOUSING SHOWN FOR APPLICATION CLARITY AND DOES NOT COME WITH GUIDE PINS.
  - 2 SHORT GUIDE PINS TO BE USED WHEN A PCB STIFFENER IS PRESENT ON BOARD.
  - 3 THIS PRODUCT MEETS EUROPEAN UNION DIRECTIVES AND OTHER COUNTRY REGULATIONS AS DESCRIBED IN GS-22-008

mat'l. code		tolerances unless otherwise specified		CUSTOMER COPY		ELECTRONICS	
ltr	ecn no dr date	linear		projection	title		
M	005-032d CLU 050907			$\phi$	GUIDE PIN ASSEMBLY 12 mm		
g	HC8058 DDB 981027	angles		mm	product family	ETRAL(tm)	code
H	H90222 HME 990323	dr	STU STONER 901026		size		213
J	H90251 HME 990407	eng	STU STONER 901026	scale	70295		
K	HC9018 DDB 990727	chr	P SCHALK 950928	5:1	sheet 1 of 1		
L	H00023 LLA 000117	app	D ANDREWS 910315				
sheet	revision						
Index	sheet						